

Sandall Road
Wisbech
PE13 2PS UK

Tel: +44 (0)1945 47 47 47
Fax: +44 (0)1945 47 48 49

31st May 2017

Dear Customer,

Anglia have been advised by the manufacturer Taicom that the tooling for the series listed below has been updated with immediate effect, this is due to the old tooling being beyond its serviceable life.

Taicom advise they have also taken this opportunity to revise the mouldings to improve the efficiency and yield of the production process. The revised parts have some minor dimensional and cosmetic appearance changes which do not impact the form, fit or function of the parts

Attached below are the old and new data sheets for comparison purposes.

Series affected by this notification:

TBV1xxJG

Anglia operates a strict F.I.F.O system in our Distribution Centre therefore it may take some time for this change to filter through to customer deliveries.

Please ensure this information is circulated to the relevant persons within your organisation.

Yours Sincerely
Anglia

VERTICAL - low profile

3.81mm PITCH

TAICOM type TBV1/JG



Miniature size, 3.81mm pitch blocks fitted with rising clamp type wire protection guards. Choice of 2 to 12 way which may be interlocked together to increase their permutation. Access provided for test probes.

3.81mm pitch, 6A rating

Low profile, 8.5mm height

Miniature size



Interlocking (double dovetail)

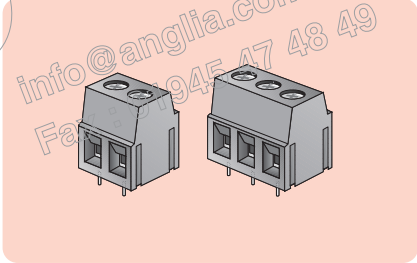
Rising clamp wire protection

Combi screws suit pneumatic tools

Green **UL94V-0** flame retardant bodies

Ideal for telecom/security industry

TECHNICAL DATA
FOR REFERENCE PURPOSES ONLY
anglia
www.anglia.com
Tel : 01945 47 47 47
info@anglia.com
Fax : 01945 47 48 49



Type	Manf. Part No. & anglia Order Code
2 way	TBV102JG
3 way	TBV103JG
4 way	TBV104JG
5 way	TBV105JG
6 way	TBV106JG
7 way	TBV107JG
8 way	TBV108JG
9 way	TBV109JG
10 way	TBV110JG
11 way	TBV111JG
12 way	TBV112JG

Other ways available to special order

Specification

Materials

Mouldings Green glass filled polyamide to UL94V-0
 Terminals Brass, tin plated
 Screws Steel, tin plated
 Rising clamps Brass, tin plated

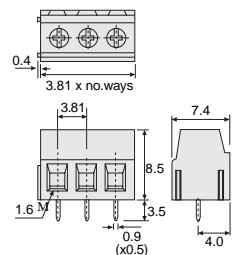
Ratings (limited by pcb)

Current rating 6A
 Voltage rating 150Vac
 Oper. temp. range -33°C to +120°C

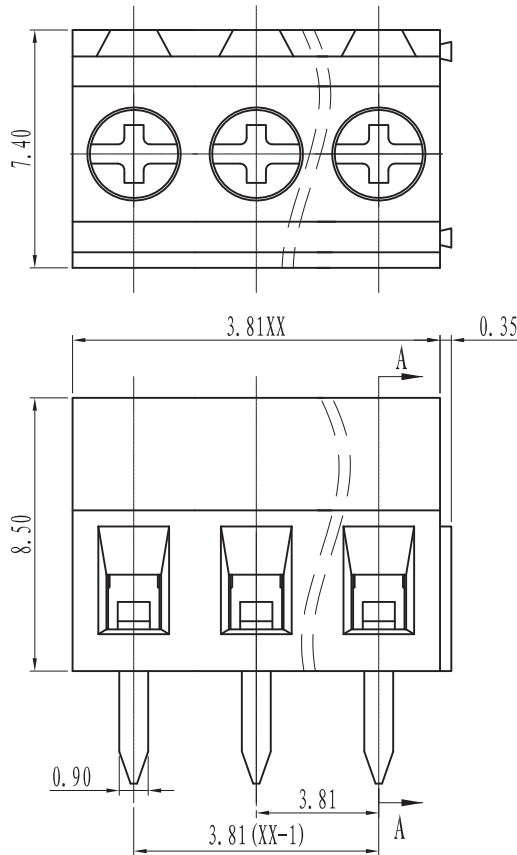
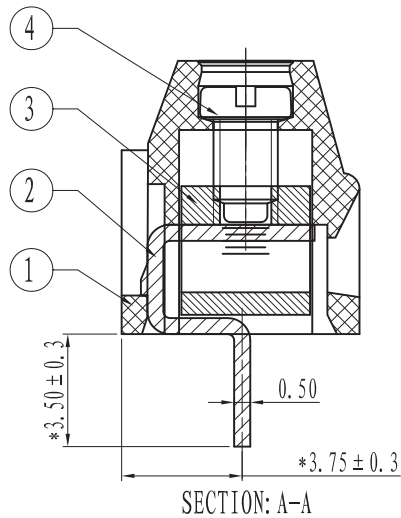
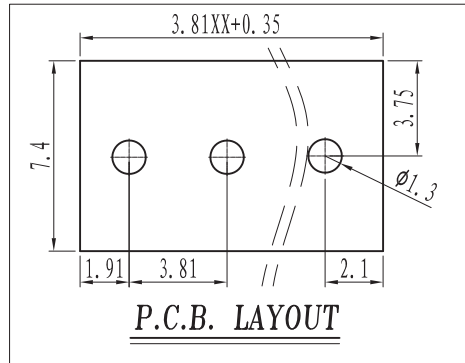
Wire Size

Range 16 to 24awg
 Metric capacity 1.5mm² max. (solid)
 1.0mm² max. (stranded)

Dimensions (mm)



OLD VERSION



SPECIFICATION

Current Rating : 10A AC/DC
 Voltage Rating : 300V AC/DC
 Operation Temperature : -40°C to + 105°C
 Contact Resistance : 20m max.
 Insulation Resistance : 500M Min.
 Withstand Voltage : 2000V AC/minute
 Wire range : 28 ~ 16 AWG
 Max Soldering : + 250°C for 5 Sec

Dimensions

Pitch : 3.81mm
 Poles : 2-24p

Mechanical

Torque (Max.): 0.2Nm
 Strip Length: 4.5 - 5mm

Material

Housing : PA66, UL94V-0
 Screws : M2.0 Steel Zn plated
 Pin Header : Brass, Tin plated

RoHS Compliant

		linear dimension (Tolerances Standard GB/T 14486-2008)										≡	—	□	//	⊥
variable range	to	over 6 to 10	over 10 to 18	over 18 to 30	over 30 to 50	over 50 to 80	over 80 to 120	over 120 to 160	over 160 to 200	over 200 to 250	over 250 to	all	to 5	over 5 to 30	over 30 to 120	over 120 to
	tolerance	±0.1	±0.14	±0.19	±0.25	±0.32	±0.43	±0.57	±0.72	±0.88	±1.05	±1.25	0.5	0.025	0.06	0.12

Taicom TBV1xxJG (NEW VERSION)

Title : Vertical, 3.81mm Pitch Rising Clamp

Tolerance (Unless Specified) : .x = ±0.20
 .xx = ±0.15

Dim : (mm)

Angle :